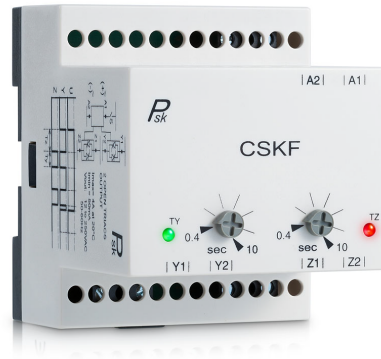


CSKF מהבהב אסימטרי טורי

On the application of the supply voltage between (A1) – (A2), thyristor Y1/Y2 switches immediately the full supply voltage through to the load connected to (Y2) terminal (max. load 4 A continuous) and time (ty) begins to run (LED green is lights on). On completion of (ty) thyristor Z1/Z2 switches the full supply voltage to the load connected to (Z2) terminal (max. load 4 A continuous) and time (tz) begins to run (LED red turns off). The thyristor outputs continues to operate in the pulse-pause ratio for as long as the input voltage (A1) – (A2) is maintained, removing the input voltage will resets the timer. A small leakage current 2.5 ma passes through the thyristor during the time period. Care should be taken to prevent damage to sensitive devices connected to any of the terminal.



General specifications

- Supply voltage 240VAC
- Thyristor (Y1) - (Y2) output 12 - 240 Vac/dc 4 A max at 25°C.
- Thyristor (Z1) - (Z2) output 12 - 240 Vac/dc 4 A max at 25°C.
- Time range: 0...30sec each
- 60mm rail mount housing
- Supply voltage variation: + 10% / - 15%
- Frequency: 50 – 60 Hz
- Duty cycle: 100%
- Repeat accuracy: <0.5% (as % of full range)
 - I min = 50Ma
- Thyristor output: I max = 4A I peak = 20A (<5ms)
 - I leakage = 2.5ma~
- Self-extinguishing plastic housing UL V0 acc IEC 529 V0
- Mounting position: on DIN-rail TS 35 according to EN 50022
- Mounting position: vertically
- Terminal : acc IEC 60947-7-1, IEC 60998-1
- Terminal Capacity: 1x4mm² without multicore cable end
 1x0.5 to 2.5mm² with/without multicore cable end

Display

- Power on: LED green Indicates of supply voltage
- Relay energized: LED red indicates of relay energized.

Accuracy

- Base accuracy at min. and max scale: ±1%
- Adjusting accuracy: <5% of max scale value

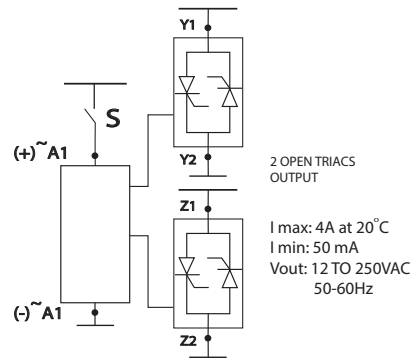
Environmental conditions

- Permissible ambient temperature: -25°C....+45°C
- Storage temperature: -25°C....+70°C
- Transport temperature: -25°C....+70°C
- Relative humidity (acc. IEC 721-3-3 CLASS 3K3): 15% to 85%

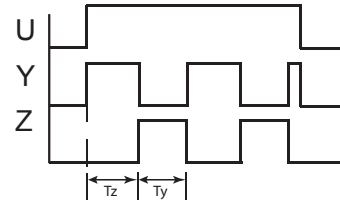
Dimensions & weight

- Width: 62 mm
- Height: 75 mm
- Depth (excl. DIN-profile): 66 mm
- Weight: 160 gram

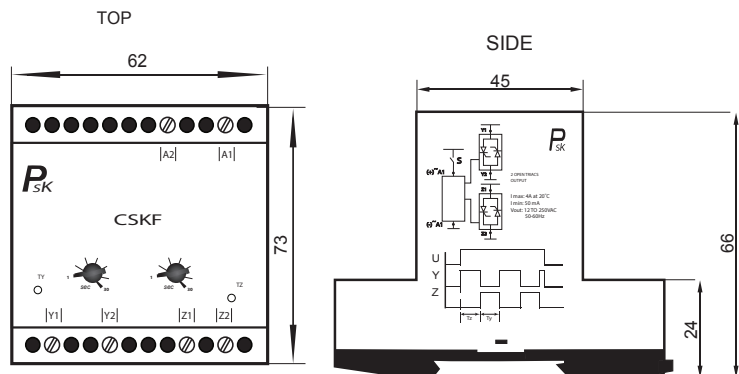
Connections



Function



Dimensions



Ordering information

CSKF