

HCKR

בקר לגוף חימום באגני שמן

Temperature of lubrication oil in generator gear box or air-condition units have to be monitored continuously, HCKR monitors the immersed heating element and indicates functions, HCKR relay switches on, relay output disconnected when the heating element fails to work. HCKR unit resets when the supply voltage has removed.



General specifications

- Main Standards: IEC 61812-1, IEC 61000-6-2, EN 50178
- Additional standards: IEC 61000-4-2, IEC 61000-4-3, IEC 61000-4-4, IEC 61000-4-5
- Protection class open air: IP20
- Self-extinguishing plastic housing UL V0 acc IEC 529
- Mounting position: on DIN-rail TS 35 according to EN 50022
- Mounting position: vertically
- Monitoring current: 80mA - 1.5A
- Load: ≤200W
- Terminal : acc IEC 60947-7-1, IEC 60998-1
- Terminal Capacity: 1x4mm² without multicore cable end
1x0.5 to 2.5mm² with/without multicore cable end

Incoming supply circuit

- Supply voltage: refer to table below
- Supply tolerance: ± 10%
- Incoming Supply terminals: A1 (+) – A2 refer to table below.
- Rated power consumption: 1 VA
- Rated frequency for as voltage: 48 to 63 Hz
- Duty cycle: 100%
- Reset time: 30 ms
- Drop off voltage: ≥ 20% of nominal voltage.

Output circuit

- Relay: 1 C/O
- Rated voltage: 250 Vac
- Switching capacity ac: 1000 VA (8A / 250V) COS φ = 1
- Switching capacity dc: 6 A 30 Vdc
- Max switching capacity ac: 10 A
- Mechanical life: 1 x 10⁶ operations
- Electrical life at 1000 VA COS φ =1: 200.000 operations

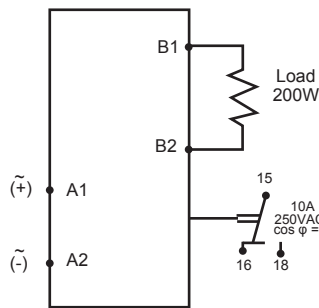
Environmental conditions

- Permissible ambient temperature: -25°C....+55°C
- Storage temperature: -25°C....+70°C
- Transport temperature: -25°C....+70°C
- Relative humidity (acc. IEC 721-3-3 CLASS 3K3): 15% to 85%
- Vibration resistance (acc. IEC 68-2-6): 10 TO 55 H

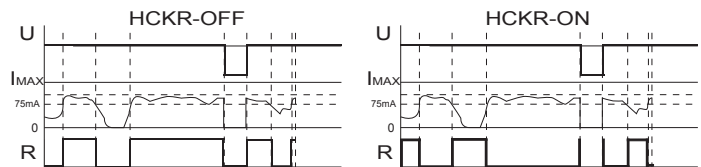
Dimensions & weight

- Width: 24 mm
- Height: 72 mm
- Depth (excl. DIN-profile): 65 mm
- Weight: 73 gram

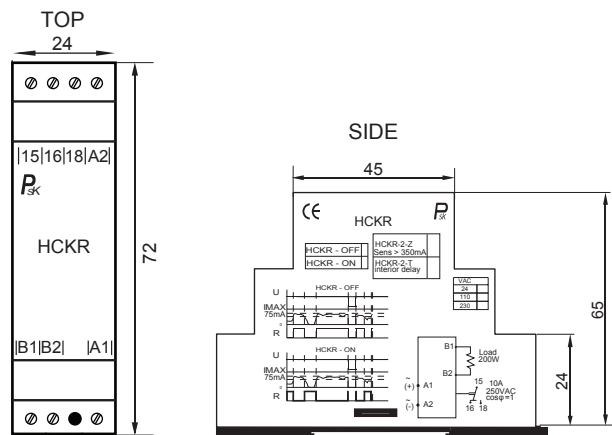
Connections



Function



Dimensions



Ordering information

HCKR	—	V	—	HCKR - OFF	A
				HCKR - ON	B
		VAC			
		24			
		110			
		230			