



MOD - 7S5B 1"

Current loop Indicator - 4.5 digits
 Scaleable digital - 4-20mA

The MOD-7S5B is an advanced, low cost current loop indicator, which provides measurement in applications where a scalable current input is needed. Any signal can be scaled to display directly in engineering units with the wide ranging available. Scaling and calibrating MOD-7S5B is very easy. For example: all inputs 4-20mA can be scaled to display 0-15000 kg/

General specifications

DISPLAY: 4½ digit LED 1" (25.4 mm) high brightness.
POWER: wide range power supply options (refer to ordering information)
 Decimal Point selection: from front panel
 Accuracy: ±0.1% of reading ±1 digit at 25°C
 Stability: ±50ppm / °C
 Conform to standards: IEC 61010-1 Safety requirements
 For measurement, control, and laboratory use, part 1.

CONNECTION:

silver alloy pluggable terminal Shrouded to prevent human contact.
 Terminal: acc IEC 60947-7-1, IEC 60998-1
 Terminal Capacity: 1x4mm without multicore cable end
 1x0.5 to 2.5mm with/without multicore cable end.

MECHANICAL

Self-extinguishing plastic housing, IP40 acc IEC 529
 Mounted: front panel
 IP rating: IP20 acc IEC 529
 Terminal block: 4mm² 12AWG 250VAC
 Box measures: 144x72 mm

AMBIEN CONDITIONS

Operation temperature -20°C ... +55°C
 Storage temperature -25°C ... +70°C
 Transport temperature -25°C ... +70°C
 Relative humidity 15% ... 85% acc IEC 68-2-6
 Vibration resistance 10 to 55 Hz (acc to IEC 68-2-6)
 Weight: 348 gr

Operating instructions

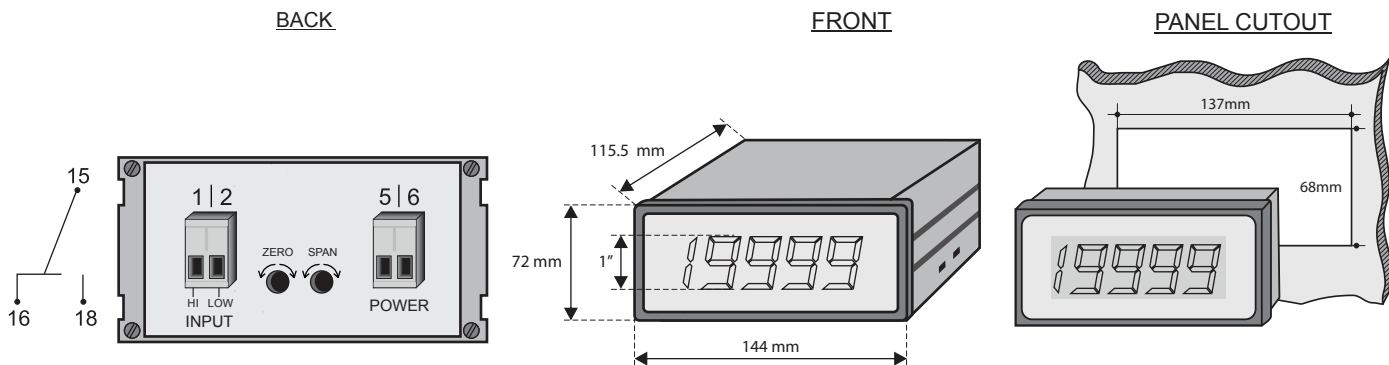
Reading adjustment

- On back panel you will find two adjustment screws, Zero & Span
- Zero determine 4mA reading.
- Span determine 20mA reading.
- To INCREASE reading turn adjustment screws to right
- To DECREASE reading turn adjustment screw to left

Technical Data

Range: 4-20mA adjustable
 ±19999 (4½) count four scale
 Display type : 4½ digit, 1" (25.4mm)
 Low power requirement
 Wide range power supply option (Refer to table below).
 Input voltage protection
 Decimal point selected
 Accuracies are specified at 25°C
 Power consumption: 2.3 VA
 Stability w/Temp ±50ppm/°C
 Span up to 20000 counts from 4 to 20mA
 Measuring Rate: 3 s/min
 Change of settings also during operation
 Exchangeable unit symbols
 Adjustment from rear panel
 User define Limit values

Dimensions



Ordering information

MOD 7S5B - V	230VAC	60VDC
	110VAC	48VDC
	24VAC	24VDC
		12VDC