

## ISO-556B-5

### ממשק מבודד 5 התראות

- Each channel 1 Form C Relay
- LED Light Activates when Relay is Energized
- Screw pluggable Terminals for Field Wiring

#### Operating

The ISO 556B5 5-channel relay output board consists of 1 form C relay for efficient switching of loads by programmed controller or dry contact. The relay is energized by closing contact for the appropriate relay command on the terminal block connector. The LED is light when the relay is activated to avoid overloading and isolate your system; this board provides a screw terminal connection.

#### General specifications

- Protection class open air: IP20
- Protection class enclosed (accessible front): IP40
- Self-extinguishing plastic housing UL V0 acc IEC 529
- Terminal: pluggable terminal blocks  
 Acc IEC 60947-7-1, IEC 60998-1
- Terminal Capacity: 1x4mm<sup>2</sup> without multicore cable end  
 1x0.5 to 2.5mm<sup>2</sup> with/without multicore cable end Mounting
- position: on DIN-rail TS 35 according to EN 50022 Mounting
- position: vertically
- To connect the unit, use appropriate insulated 230VAC cord and appropriate circuit breaker.

#### Input circuit

- Supply voltage: 230VAC
- Rated consumption: 1.5VA
- Rated frequency for as voltage: 50-60 Hz
- Duty cycle: 100%
- Input: dry contact / 24vac Z1-Z2-Z3-Z4-
- Z5 / C Reset time: 20ms

#### Display

- Red LED indicates of relay energized.

#### Output circuit

- Relay: 5 relay C/O
- Rated voltage: 240 VAC
- Switching capacity : 5A / 240VAC / COS φ=1
- Switching capacity DC :3A / 30 VDC
- Max switching capacity: 6A
- Simultaneously switch current: 3A / 240V / COS φ=1
- Mechanical life: 1 x 10<sup>6</sup> operations
- Electrical life: 1 x 10<sup>5</sup> operations

#### Environmental conditions

- Permissible ambient temperature: -20°C....+55°C
- Storage temperature: -25°C....+70°C
- Transport temperature: -25°C....+70°C
- Relative humidity (acc. IEC 721-3-3 CLASS 3K3): 15% to 85%



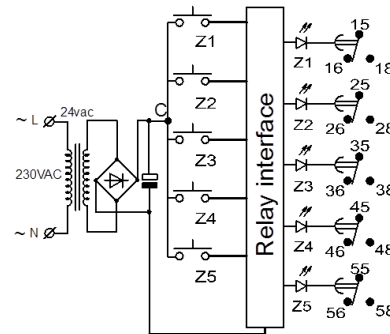
#### Safety

IEN 61010-1: 2010  
 EN 61010-1: 2010

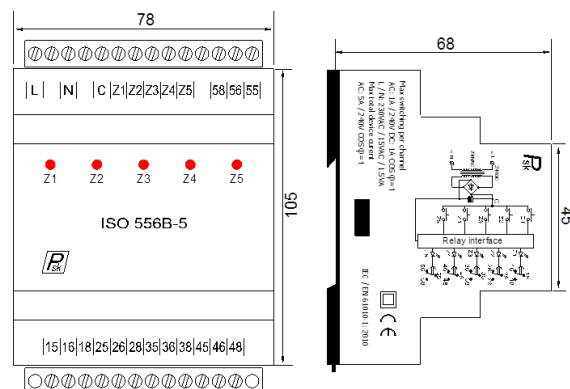
#### Dimensions & weight

- Width: 78 mm
- Height: 73 mm
- Depth (excl. DIN-profile): 67mm
- Weight: 268 gr

#### Connections



#### Dimensions



#### Ordering information

ISO-556B-5